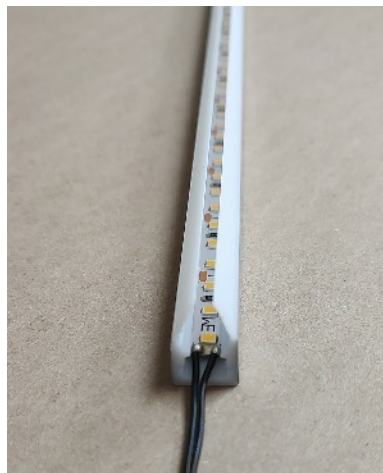
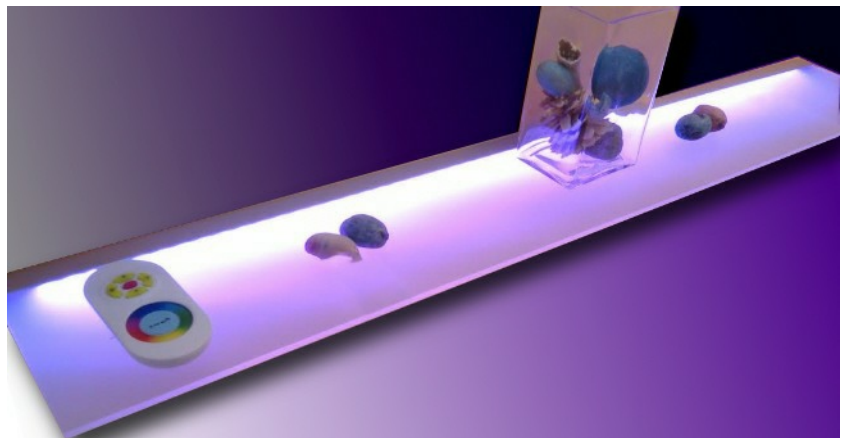
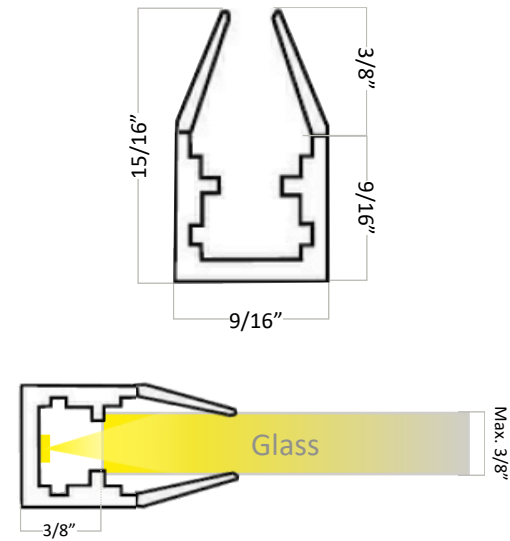


Materials	Extrusion: Polystyrene End Cap: Plastic
Colors	Extrusion: silver, opaque
Measurements	0.55" x 0.94" Space from back to Glass: 3/8"
Light Color Options	Max. shippable length: 7.5 ft 3200K / 4200K / 6000K / RGB
Power Consumption	std. 3W/ft / Max. 4.5 W/ft
Mounting	Slides on back of glass Max. Glass thickness: 3/8"
Supplied with	78" power connecting wire

Technical Drawings



Wire exit on **end**



Wire exit on **back**

NOTE:

Glass needs to be frosted on 1 side in order to achieve an effect.